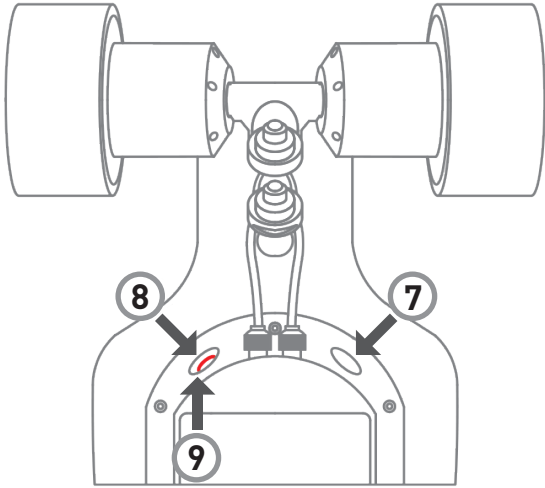
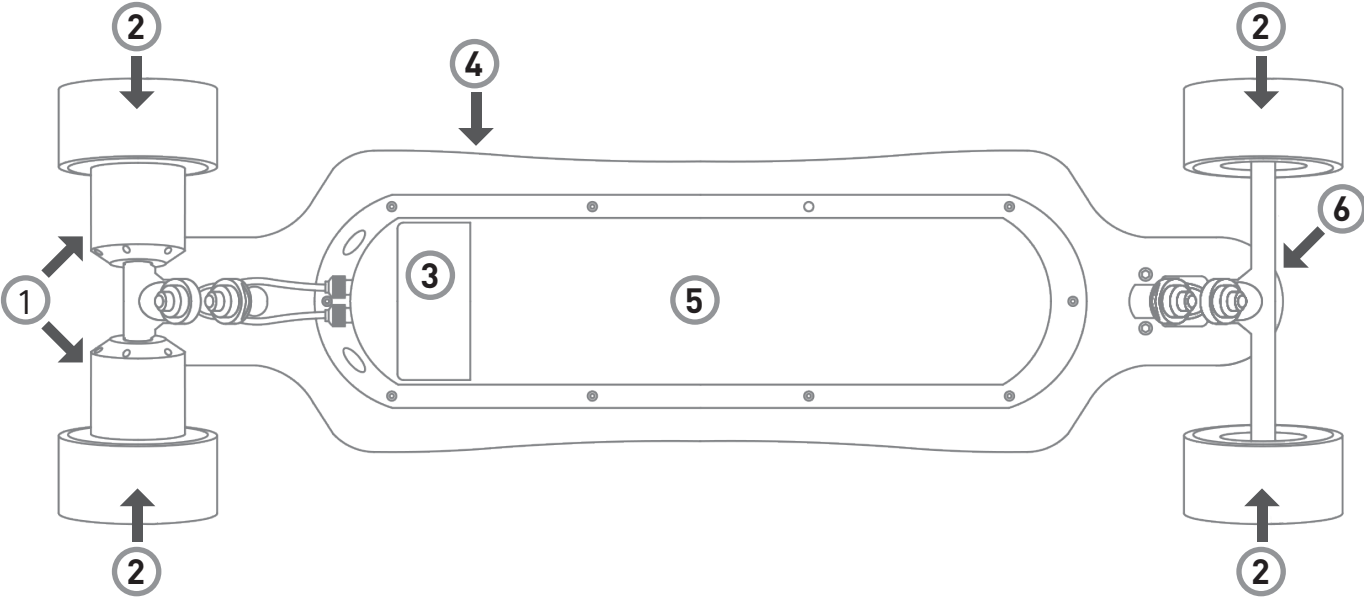




User Manual

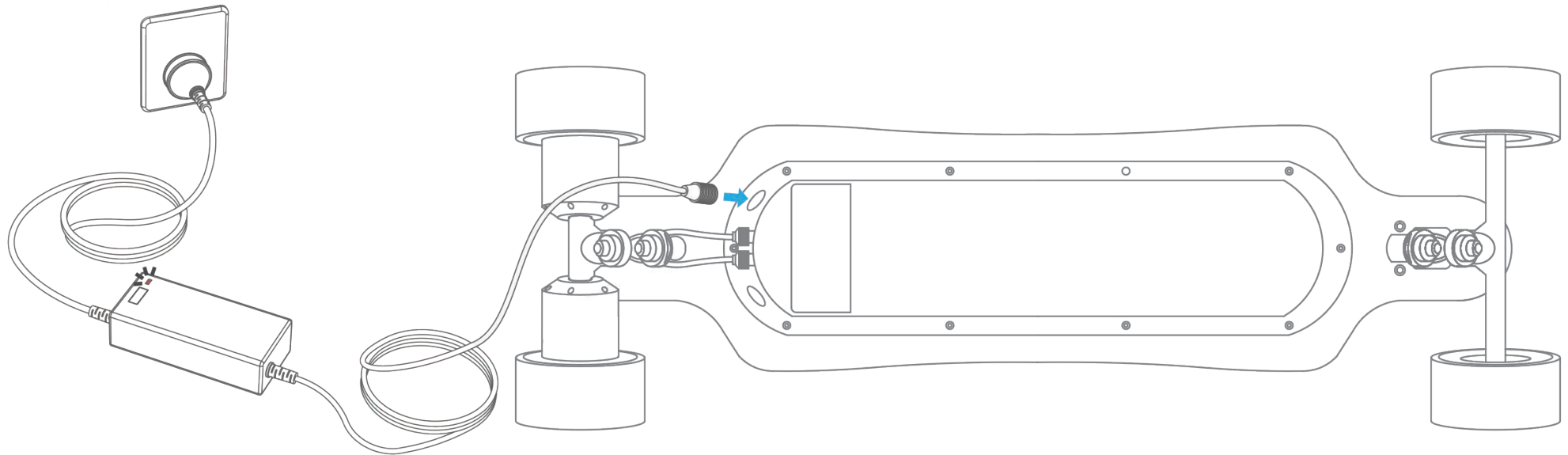


- ① Direct Drive Motors
- ② 97mm Wheels
- ③ Motherboard Cover

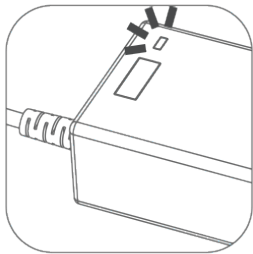
- ④ Bamboo Deck
- ⑤ Carbon Fiber Casing
- ⑥ Front Trucks

- ⑦ Charging Port
- ⑧ Power Button
- ⑨ Indicator LED

Charge the batteries



Do **NOT** insert the power cord plug if the charge port, power cord or AC power outlet is wet.



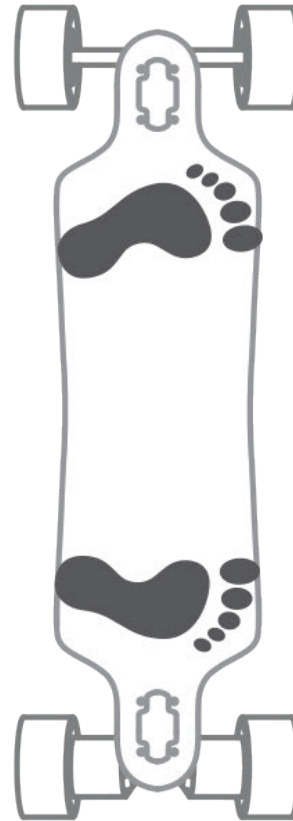
Battery Charge Indicator Light

- Battery charge indicator will be solid red when the ONSRA board is plugged in and charging
- When the battery charge indicator light turns green, the batteries are fully charged

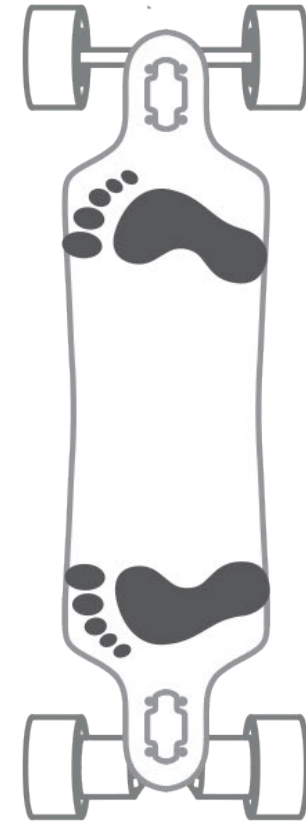
Stance

The best way to find out whether you ride Regular or Goofy is to just ride and see what's more comfortable for you.

ONSRA uses powerful motors that can throw you off balance if you're not ready for acceleration and braking.



Regular



Goofy

Remote Controller

Reconnect Board to the Remote: Stay on the Turn on button of ONSRA till it's starting to blink. Now do the same on the Remote Controller and also click on the turn on button till it's saying Remote Pairing.

Switch Direction: Double Click mode change button

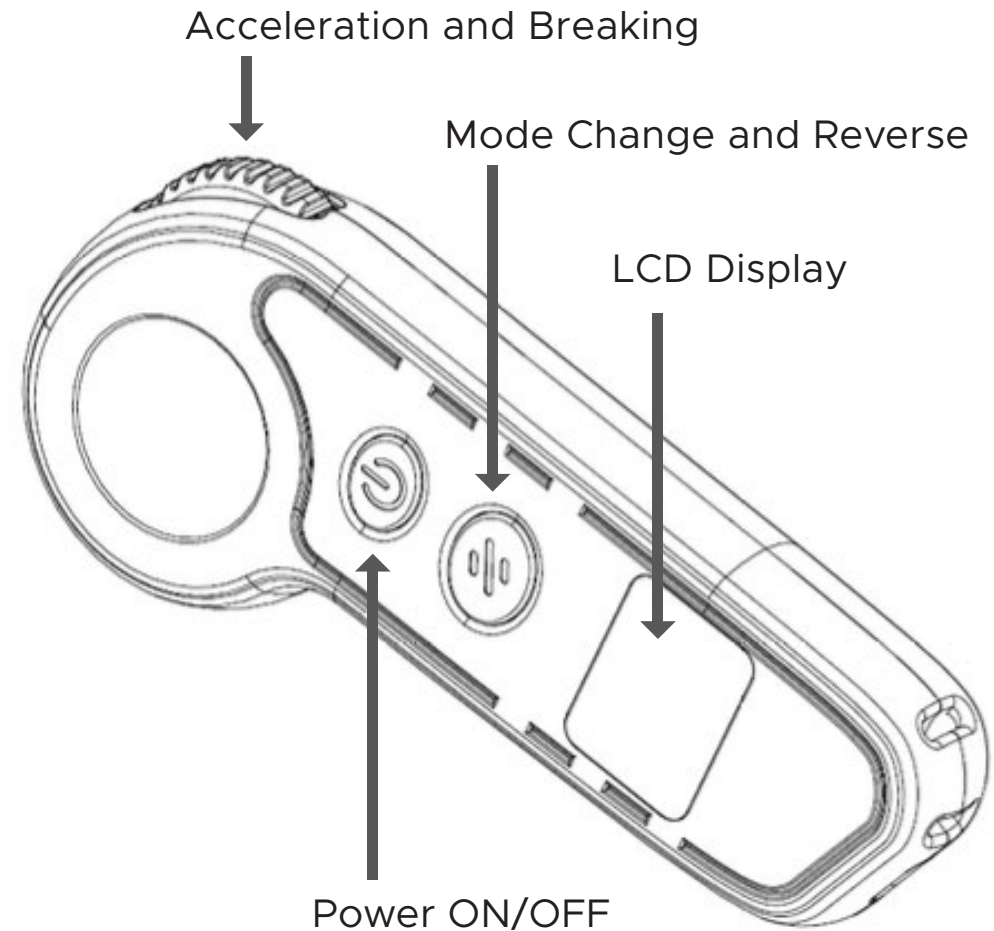
Switch Modes: Click on the Mode Change button to change the Speed Mode:

1. **ECO:** Easy Control, Safe Top Speed, perfect for beginners
2. **MED:** Medium Top Speed
3. **PRO:** Highest Top Speed








Cruise Mode: ATTENTION!!! Only use it if you're used to ONSRA and if you're somewhere safe! Fully acceleration and click one time on the power button. To turn off just brake.

Change the Wheel Diameter: Reconnect ONSRA to the Remote Controller.

Chose KMH or MPH: You have to reconnect ONSRA to the Remote Controller.





Safety


-  The electric skateboard is not a toy, and should be treated with appropriate caution.
-  Always practice safety first, because it is possible to lose your balance and cause a collision or fall. Ensure that you use the board in a safe appropriate environment, and always wear appropriate safety gear.
-  Safety Gear: please wear a suitable skateboard helmet.
-  We recommend that you wear full safety gear while riding: helmet, elbow pads, knee pads and gloves.
-  Wear closed-toed shoes - flipflops or similar loose footwear are not suitable riding wear.
-  The maximum load of the board is 120kg/260lbs. Exceeding this weight will compromise the structural integrity as well as balance and functionality.
-  Only one person can ride the skateboard at a time. More than one is extremely dangerous.
- 13+** The skateboard is designed for riders over 13 years of age and above; please use caution.


Caution

 ONSRA is designed to be ridden on flat and paved surfaces. Use different Wheels for different occasions.


 Avoid riding on sand, gravel, mud, rugged or open ground.
Do not drive on slippery ground, such as snow, ice or wet ground.


 Keep fingers, hairs, and clothing away from belts, motors, wheels and moving parts.

 **WARNING:** Avoid electrical shocks. Do not open or tamper with electrical parts.

 Keep a safe distance from other people and stationary objects while riding.
Do not drive in crowded spaces - you could be a danger to yourself and other people.

 Do not ride at night, in dark locations or low visibility.

 Perform a basic safety check of the board before riding to avoid accidents or equipment damage.
Check that the bolts and trucks are tightly fastened. Check that electrical connections are firmly connected.

 Stop using the board with at low battery!

Enjoy your ride.

